


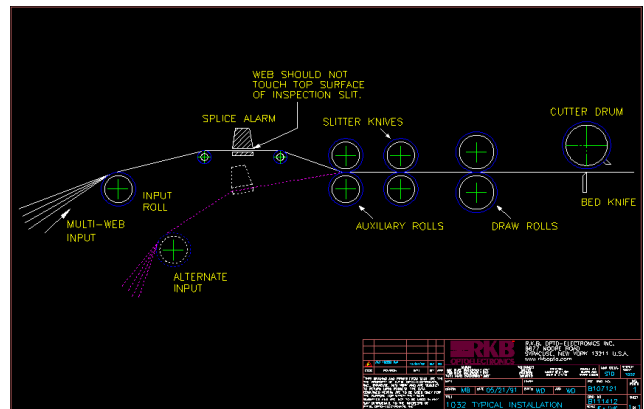
Applicable To Any Web Fed Process

The Model 1088B Sentinel® Splice Detector™ Technology consumes very little power while providing dependable and consistent splice (joint) detection on virtually any non-metallic web process application. The Sentinel is designed to monitor 1-16 webs of material and will detect any splice or joint that may exist within the web material. It is applicable to manufacturing processes that require the culling out of splices or joints prior to shipment. As a control in subsequent conversion processes, it prevents damage to sensitive equipment. Examples of these include soft rolls, print heads, coater applicators and print blankets. Immediate detection, rejection and control of splices or joints create savings of up to tens of thousands of dollars per annum.

Respond to Varying Conditions

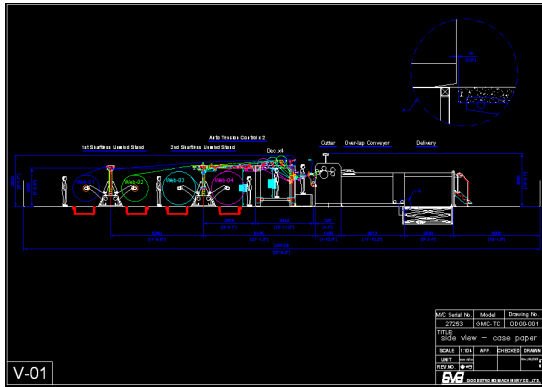
Unaffected by printed surfaces, material color, grade changes and process speeds that challenge "photo eyes" and "ultrasonic devices", the Sentinel guarantees 100% reliable detection every day; every shift. Based on the proven technology of our classic technology, the Sentinel is a self-calibrating system that is powered by 24VDC. It provides an opto-isolated, digital electronic output with a pulse width selectable for 1, 10 or 100 milliseconds. The re-designed alarm indicators are low power, low voltage LEDs that are clearly visible to machine attendants. The unit can be mounted anywhere within the web at any angle and either right side up or upside down.

 MODEL 1088B™	
TECHNICAL SPECIFICATIONS	
Defects Types Detected:	Splices Web Breaks
Material Compatibility:	Papers Plastics Films Other Non-metallic Materials
Web Thickness:	0.20" (5.08 mm) Max.
Gap Width:	0.25" (6.35 mm)
Maximum Web Speed:	No Limit
Electronic Alarm Output:	
Pulse Outputs:	1
Voltage:	24V (± 3 V)
Direction:	Positive Going
Duration:	1ms, 10ms, 100 ms
Ambient Temperature:	40 to 160° F (4 to 70° C)
Dimensions:	6.0" X 7.5" X 4.37" (15.24 cm X 19.05 cm x 11.1 cm)
Power:	24VDC
<p>Specifications are subject to change without notice. Note: If you web speed is less than 100 fpm, specialized circuitry may have to be applied. If you purchase this unit and it is found that specialized circuitry is required due to misinformation, all monies applicable will be charged, then applied as a credit for replacement of this standard unit with a specialized unit. Additional fees may be applied.</p>	



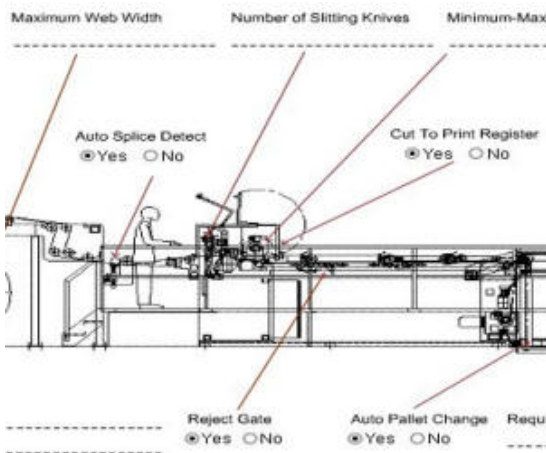
R.K.B. OPTO-ELECTRONICS, INC.

6677 Moore Road • Syracuse, New York • 13211 • United States of America
 Tel: +001-315-455-6636 • Fax: +001-315-455-8216 • Email: sales@splicedetector.com
 Internet: www.rkbopto.com / www.splicedetector.com / www.splicedetector.net



Minimize Operator Intervention

The Sentinel can be connected directly to PLC control devices or interfaced for activation of peripheral equipment such as audio/visual alarms, counters, sorters, coating head applicators, corona treaters, spray marking systems and reject gate controls. Modular in design, the new Sentinel requires 50% less energy to operate. This technology comes as a complete package measuring 6.0" x 9.5" x 4.5" (15.24cm x 24.13cm x 11.43cm) and is supplied with the appropriate mounting holes based on geographical location of the installation. The Return on Investment (ROI) is most often as little as 24 hours of operation.



Guarantee Product Quality

With over thousands of installations worldwide, our inspection technologies have been effectively applied to ensure delivered product quality on tens of thousands of materials, coated and non-coated such as papers, films, nonwovens, textiles, and tapes. Our splice detection technologies can be installed on many types of machinery including sheeters, on and off machine coaters, extrusion laminators, supercalenders, rotogravure and flexographic printing presses, holographic processes, textile and nonwoven machinery.

Demand Proven Performance

Our splice detector technologies are designed for reliable, stable and consistent operation 24/7 in real world conditions. Designed to operate on low speed through high speed coating, laminating, printing, packaging and specialized converting processes our splice detectors are proven the leader in performance, reliability and price. Installations in over 130 Countries worldwide, join with leading manufacturers who demand proven performance for their quality control initiatives.



Call Today

Call us to discuss your splice detection applications and to learn more about the industry's most diverse line of machine vision web inspection related products.

R.K.B. OPTO-ELECTRONICS, INC.

6677 Moore Road • Syracuse, New York • 13211 • United States of America
 Tel: +001-315-455-6636 • Fax: +001-315-455-8216 • Email: sales@splicedetector.com
 Internet: www.rkbopto.com / www.splicedetector.com / www.splicedetector.net