

1108™

TECHNICAL SPECIFICATIONS

Registration Accuracy:	1/16" (1.5 mm) or Less From Registration Mark
Marks Detected:	Non-Keyed Watermarks Keyed Watermarks Printed Watermarks Other Marks Subject to Tests
Maximum Web Speed:	Depending on Application
Dimensions:	Rack Mounted
Maximum Web Speed:	Subject to Tests
Material Color Range :	Subject to Tests
Ambient Temperature:	40 to 160° F (4 to 70° C)
Illumination:	Proprietary
Power:	110/220/240 VAC 50/60 Hz Single Phase

Specifications are subject to change without notice.
Note: If you web speed is less than 50 fpm, specialized circuitry may have to be applied. If you purchase this unit and it is found that specialized circuitry is required due to misinformation, all monies applicable will be charged, then applied as a credit for replacement of this standard unit with a specialized unit. Additional fees may be applied.

Ensure Material Registration

The Model 1108 Keymark® Register Control™ Technology is designed for integration with existing production equipment to ensure in-register processing of web materials. It is suitable for many types of processing, printing, and converting applications requiring material registration or similar process controls.

Detect Any Mark

The most important aspect of registration control is reliable detection of the registration mark. Our Model 1108 Keymark® Register Control™ Technology is compatible with a wide range of illumination, sensing, and signal processing technologies for detection of any type of mark including keyed, non-keyed, and printed watermarks.



R.K.B. OPTO-ELECTRONICS, INC.

6677 Moore Road • Syracuse, New York • 13211 • United States of America
 Tel: +001-315-455-6636 • Fax: +001-315-455-8216 • Email: sales@splicedetector.com
 Internet: www.rkbopto.com / www.splicedetector.com / www.splicedetector.net

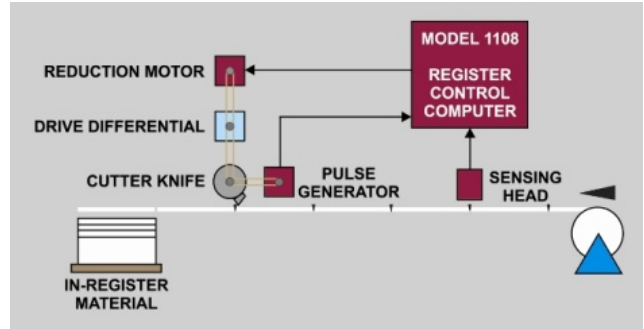
Improve Delivered Quality

The Model 1108 Keymark® Register Control™ Technology can help your company improve product quality by automatically controlling material registration within customer specifications. Choose the Model 1108 Keymark® Register Control™ Technology for faster, more reliable, control of the delivered quality of your products.



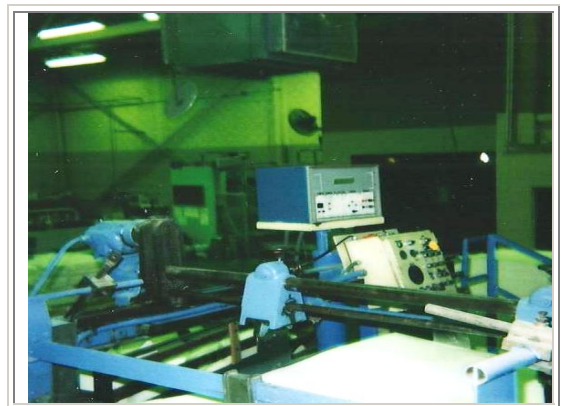
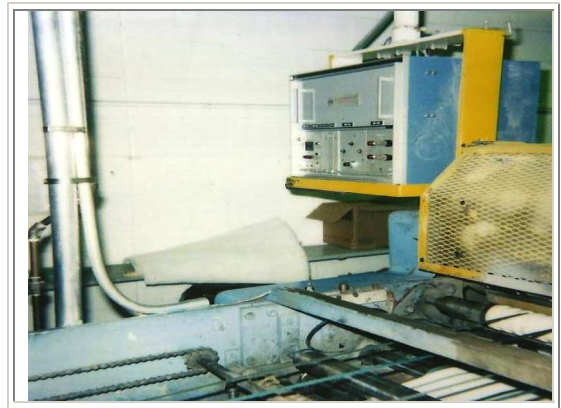
Reduce Costs

The Model 1108 Keymark® Register Control™ Technology can help to significantly reduce your company's costs for producing, sorting, and disposing of mis-registered products. They can also help to reduce costs for machine downtime and customer returns.



Achieve High Speed Operation

A Model RKB725-1122 Size 25 Reject-Coder™ optical encoder, combined with our illumination, sensing, and signal processing technologies, ensures that registration accuracy is maintained throughout the process at any process speed. Since the Model RKB725-1122 Size 25 Reject-Coder™ is driven from a drive machine shaft, generally the knife drum or drive roll; system accuracy is not speed dependent.



Call RKB

Call us to discuss your material registration applications and to learn more about the industry's most complete line of web inspection related products.

R.K.B. OPTO-ELECTRONICS, INC.

6677 Moore Road • Syracuse, New York • 13211 • United States of America
Tel: +001-315-455-6636 • Fax: +001-315-455-8216 • Email: sales@splicedetector.com
Internet: www.rkbopto.com / www.splicedetector.com / www.splicedetector.net